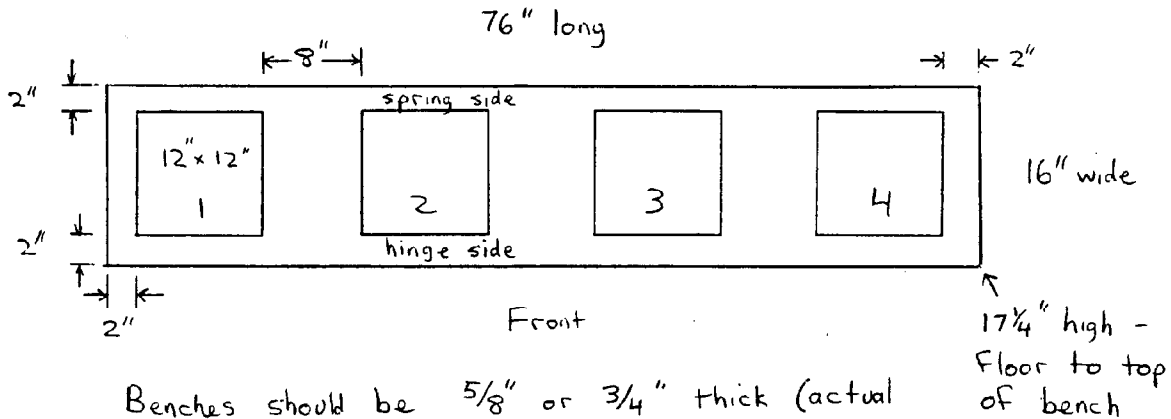
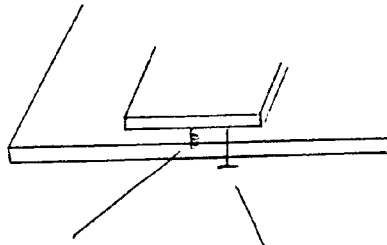


# BENCHES



Benches should be  $5/8$ " or  $3/4$ " thick (actual measurement) and supported by  $2 \times 2$ s running lengthwise. The seats are made of the same material as the benches.



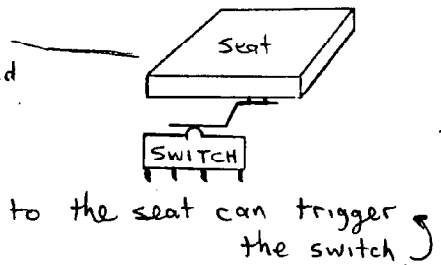
Spring -  
Drill a hole halfway thru the bench. Set the spring in the hole to keep it in place.

Screw mounted in seat. Moves freely thru the bench until the head (or a washer on the head) hits the bench, to keep the seat from opening all the way.

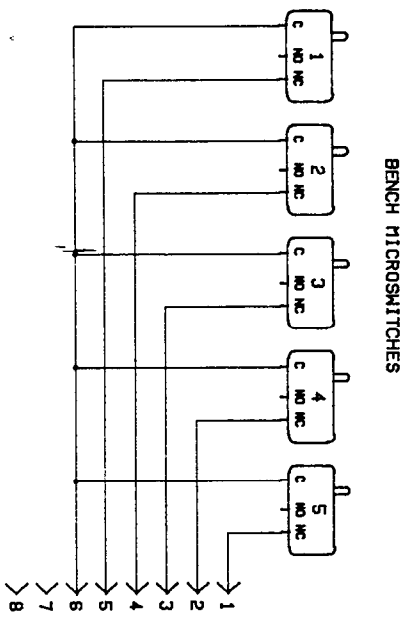
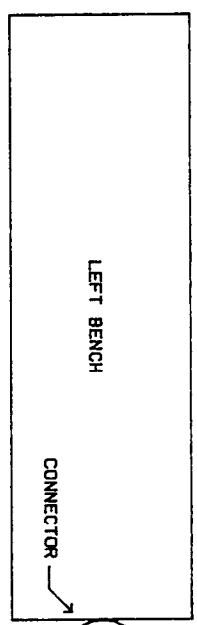
Many people use 2 springs and 2 screws.

Mount the switches by a hole cut thru the bench under each seat. ~~Use an angled piece of metal mounted on the seat to trigger the switch.~~ Switch now comes with lever. The seat or a screw attached to the seat can trigger the switch.

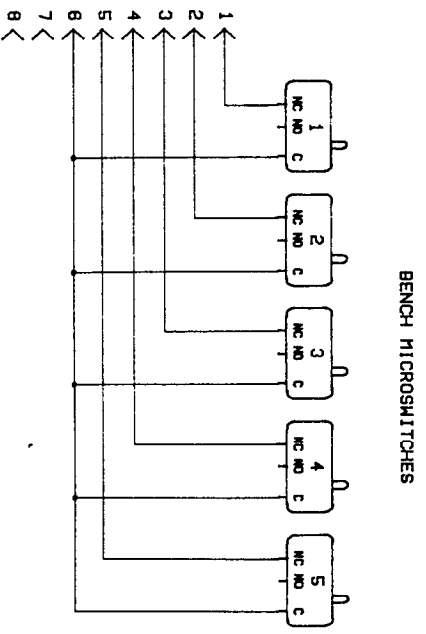
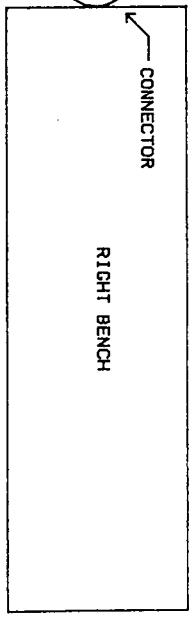
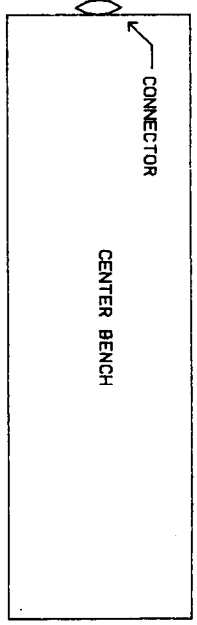
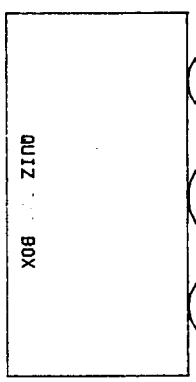
The full weight of the seat must never rest on the switch!



Switches look like this.  
 Use these two terminals  
 Solder the connections.



BENCH CONNECTOR LEFT BENCH



BENCH CONNECTOR CENTER AND RIGHT BENCHES

CONTRACT		BENCH HOOK-UP TO QUIZ BOX	
INT	/ /	DATE	
GRK	/ /	APPD	
ENG	/ /	SIZE	FACH NO. ING NO.
NEXT NUMBER ABBV.		D	
12-48138	86-12-87	QUANTITY	SHEET 1 OF 1