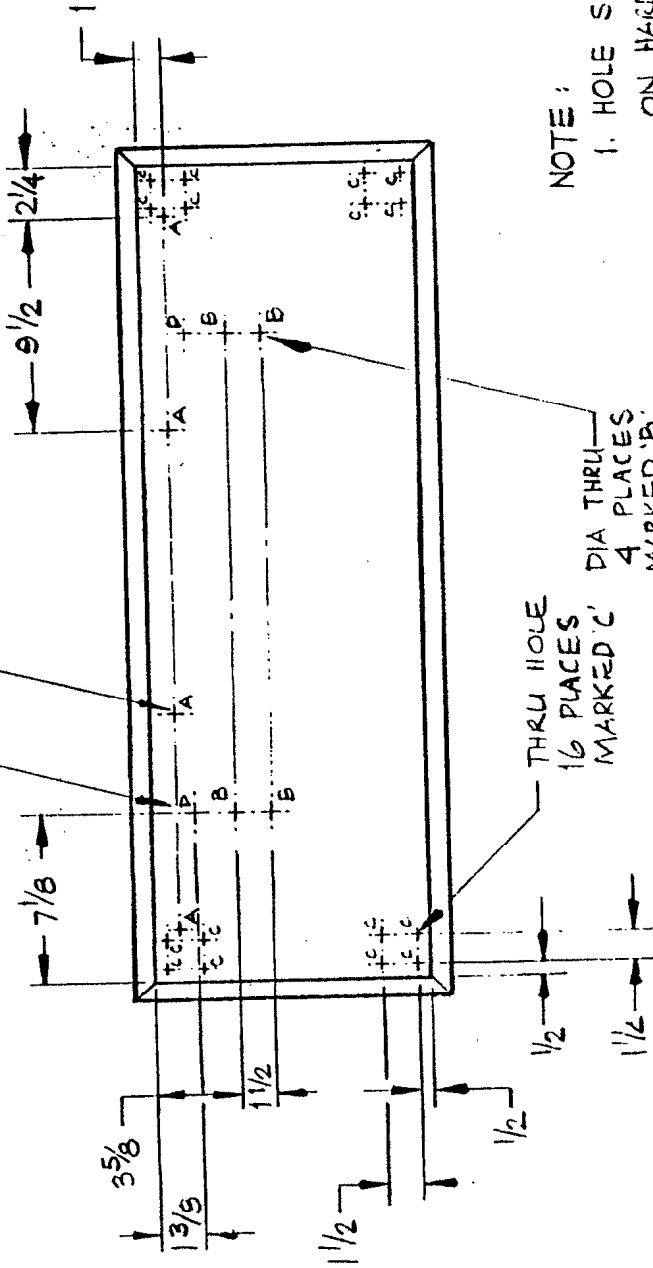


R. BAUMANN '57  
 CLIPET 1 OF 2

THRU HOLE, 2 PLACES  
MARKED 'D'

THRU HOLE BORED FAR SIDE  
COUNTER BORED FAR SIDE  
SEE DETAIL X, SHEET 3

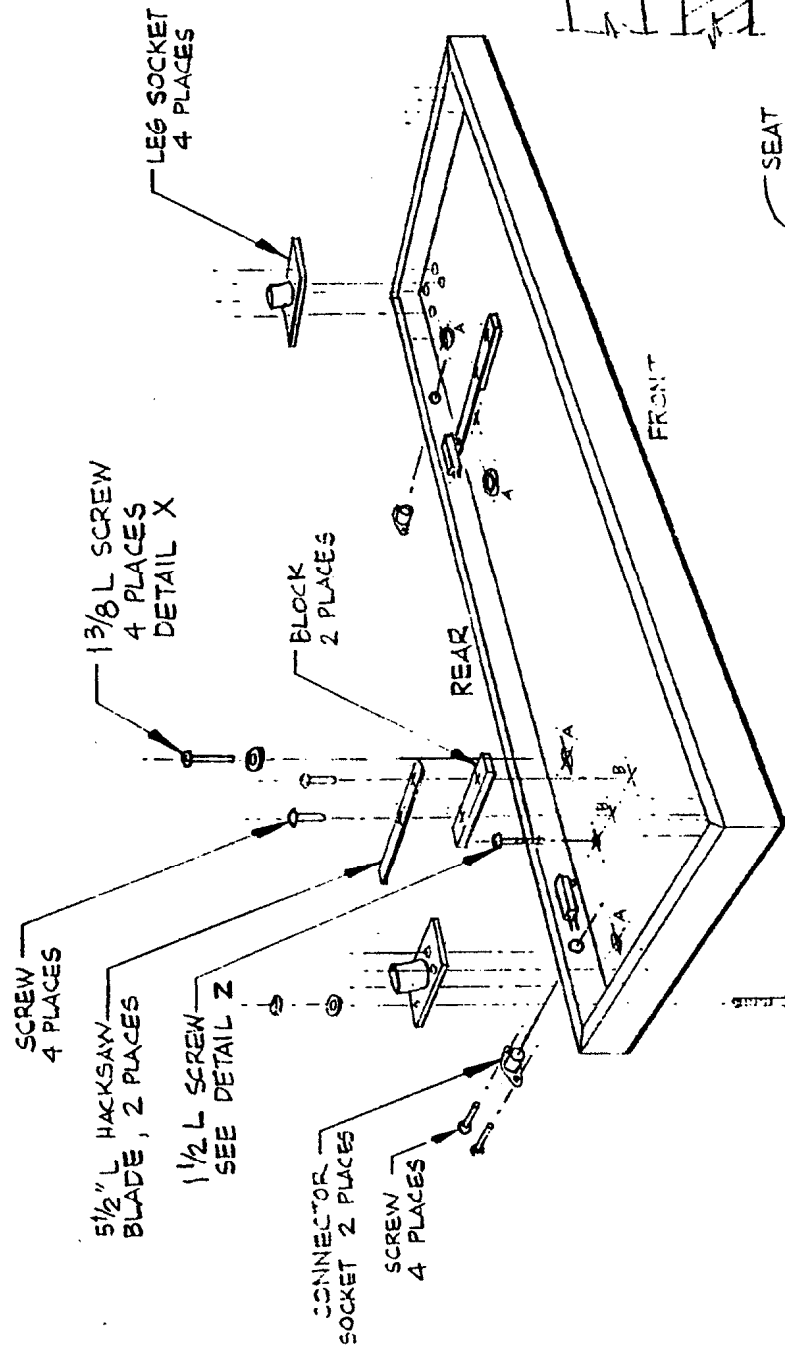


NOTE:

- 1. HOLE SIZE DEPENDENT ON HARDWARE WHICH HAS BEEN LEFT TO THE CARPENTER

THRU HOLE  
16 PLACES  
MARKED 'C'

DIA THRU-  
4 PLACES  
MARKED 'B'



SCREW  
4 PLACES

5 1/2" L HACKSAW  
BLADE, 2 PLACES

1 1/2" L SCREW  
SEE DETAIL Z

CONNECTOR  
SOCKET 2 PLACES

SCREW  
4 PLACES

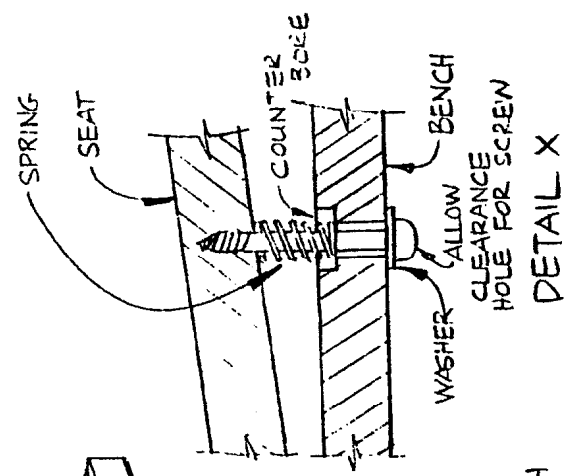
1 3/8" L SCREW  
4 PLACES  
DETAIL X

BLOCK  
2 PLACES

LEG SOCKET  
4 PLACES

3/16 X 1 DOIME  
HEAD BOLT, WASH, NUT  
16 PLACES

You may revise the hacksaw  
blade idea since the  
switch now comes with  
a lever



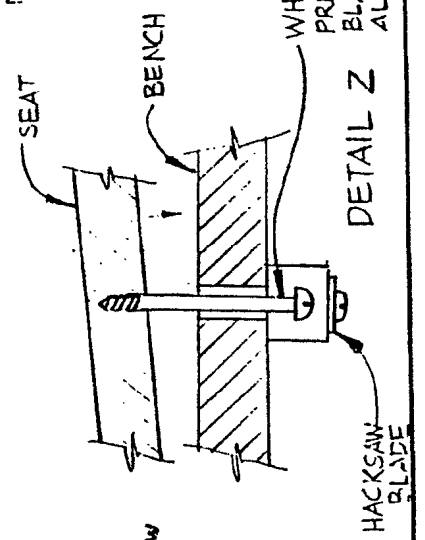
DETAIL X

WASHER  
ALLOW  
CLEARANCE  
HOLE FOR SCREW

SPRING  
SEAT

COUNTER  
BORE

BENCH



DETAIL Z

HACKSAW  
BLADE

WHEN THE SEAT IS SAT ON  
PRESSURE ON THE HACKSAW  
BLADE CLOSSES THE SWITCH,  
ALLOW CLEARANCE HOLE FOR SCREW.